



## Measures

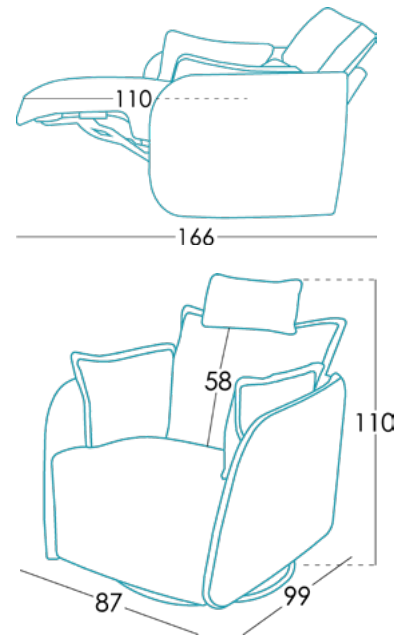
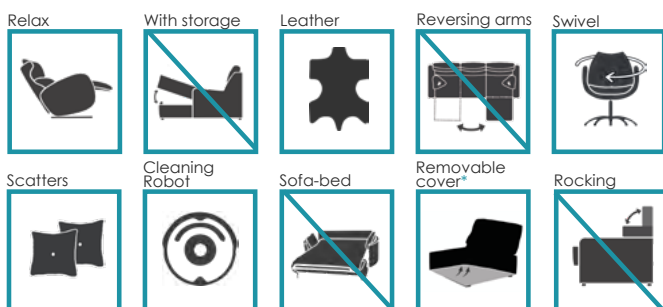
Width	87 cm
Height	110 cm
Depth	99 cm
Seat height	- cm
Arm height	70 cm
Back height	58 cm
Depth when open	110 cm

## Technical information

Frame	Frame of pine wood and MDF
Seat suspension	N.E.A.
Back suspension	
Seat foam	Polyurethane 30kg + fibre + Polyurethane 35kg
Seat firmness	Medium Foam (white) + soft foam (grey)
Back cushions	Fibra Fibersilk 100%
Loose cushions	Fibra Fibersilk 100%
Legs options	Metal
Colours	Chrom, Black
Removable cover	Seat, back and scatters*
Guarantee	Frame and seat suspension: lifetime warranty Rest of pieces: 3 years* *6-month guaranty extension by activating it on the web

[Would you like to know more?](#)

## Options



## Packaging

Packaging made up of shrink wrap and edge protectors.

The packaging comes along with the design. We always optimize it, so that it takes up as little space as possible and it is easy to carry it, avoiding the use of unnecessary packing material.



## Sustainability

Our design is responsible as we minimize the impact of industrial activity, optimizing the entire field of design and production.

Every Fama products are PFCs Free.

At Fama Sofas, we recycle 99,9% of residue and waste, following the environmental policy of our company.

NADIA is manufactured by Fama Sofas, whose quality system is certified by AENOR and IQNET according to the ISO 9001-2015 standards, with the certificate number ES-0790/1999. In addition to the Environmental Management Certificate according to ISO 14001-2019.

All models have passed the tests required for granting the quality control label from Aidima-Cetem laboratories.



FAMA SOFAS S.L.U.  
C/ Dr. Jiménez Díaz s/n - P.O.Box 41  
30510 YECLA ( Murcia ) SPAIN  
Telf: 968751050 / info@fama.es / www.fama.es